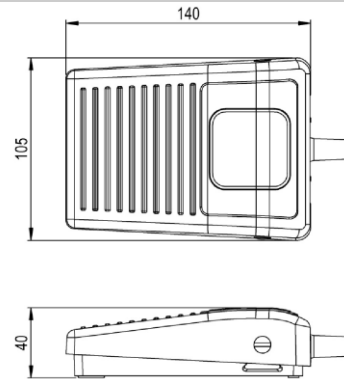


### PRODUCT IMAGE



### LINE DRAWING



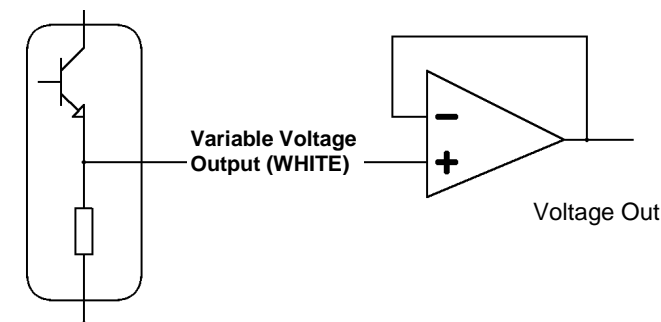
### BENEFITS

- Provides a variable voltage output proportional to the position of the pedal over its 9mm of movement.
- Utilising a solid state optical sensor with no moving parts or tracks which can wear out.
- Ideal for repetitive use with office equipment, domestic/medical appliances and general industrial applications.

### SPECIFICATIONS

standards/approvals	footswitch: low voltage directive 2006/95/EC, EN 60950
degree of protection	EN 60529 IPX2
connection method	3-core cable (2M long) with stripped cable cores or connector of your choice
output voltage range	6% minimum to 95% maximum of input voltage
electrical rating	4.5V to 12v @ 10mA (designed for 5V operation )
absolute maximum rating	30V dc (full output voltage range not available at this voltage)
output current / type	100uA maximum / Transistor Sink/Source
operating temperature	0°C to +40°C
body material	thermoplastic
weight	0.35Kg
average life expectancy	> 1 000 000 operations

+Supply Voltage  
(BROWN)



0V (GREEN)

Recommended  
Application Circuit